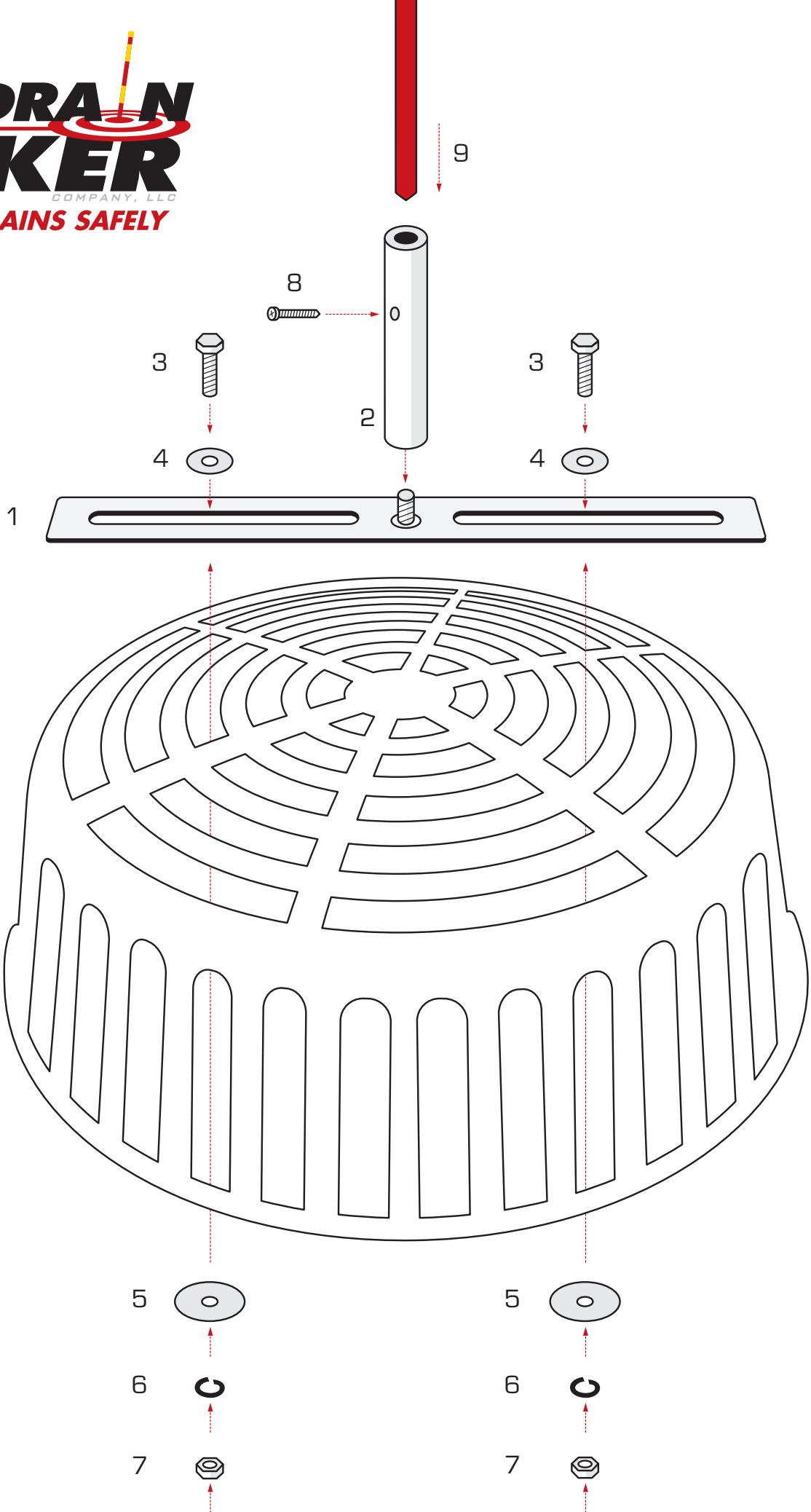


# ROOF DRAIN MARKER

COMPANY, LLC

**FIND FLAT ROOF DRAINS SAFELY**



- 1 - Bracket
- 2 - Holder
- 3 - Bolt
- 4 - Flat Washer
- 5 - Fender Washer
- 6 - Lock Washer
- 7 - Nut
- 8 - Set Screw
- 9 - Marker Flag

## ROOF DRAIN MARKER INSTALLATION DIRECTIONS

1. Place mat down on roof to protect the roof from any damage
2. Place the mat away from drain to avoid losing any hardware down the drain
3. Remove any debris from around roof drain cover and dispose of
4. Remove roof drain cover from housing
5. Place roof drain cover on mat
6. Place roof drain marker bracket on top of roof drain cover and center it on cover
7. Insert washer on bolt and insert bolt and washer through the slot in the marker and through the drain cover, hold bolt in place and place drain cover on its side and install fender washer and lock washer and nut onto bolt and hand tighten
8. Install 2<sup>nd</sup> bolt and washer to 2<sup>nd</sup> slot through the drain cover and install fender washer, lock washer and nut and hand tighten
9. Place drain cover facing up so you are looking down at the drain bracket and make sure bracket is center on drain, turn drain cover back on its side and tighten bolts with nut drivers so they are tight
10. Place drain covers back to normal position and attached the marker holder by screwing onto the pin stud. Tighten with pliers
11. Insert fiberglass maintenance marker into marker holder
12. Tighten set screw on side of marker holder so to hold marker securely in place. Set screw should be tightened so that the head of it is flush with the marker holder body. When successfully installed, a screw driver would be required to loosen it.
13. Install roof drain cover back onto its housing, locking it securely into place.
14. Make sure roof drain cover is installed back into its housing correctly. If there is an over hang of the bracket on a smaller roof drain cover, fold the overhanging ends of the bracket down onto the side of the roof drain cover

### Roof Drain Marker Kit Parts List

### Tools Required

(2) ¼-20 x 1" Hex Cap Screw	Pliers
(2) ¼-20x 1-¼ Fender Washer	1/8" flat head screw driver
(2) ¼" Hex Nut	7/16 Nut driver
(2) ¼" Med. Split Lock Washer	7/16 Wrench
(2) ¼" Med Washer	
(1) 8-32 x 3/16 Slotted Set Screw	
(1) Roof Drain Marker Base	
(1) Roof Drain Marker Holder	
(1) 4 ft 5/16" Fiberglass Marker	

### Helpful Tips:

- Use a mat to work on away from the drain so to avoid damage to the roof, and to not loose any parts down the drain while you have the cover off.
- Bring a dustpan and dust broom and trash bag in case the drain covers need cleaning
- Kneepads help especially on ballast roofs <mailto:accountspayable@destinyusa.com>
- Use a 5 gallon bucket to hold your tools and Roof Drain Maintenance Marking Kits

### REVERSIBLE DRAIN FLAGS

To improve upon the quality of your flat roof drain inspections, our marker's ends are highly distinguishable from each other. This is so that at the completion of the inspection and clearing of the drain, the flag marker can be removed and re-installed with the opposite end up. This allows for visual confirmation of that drains inspection even at a distance, and or to **flag a drain that may need special attention**. While the size of a large roof can be comparable to a football field this feature can come in very handy. To reverse the marker's ends, simply release it from the marker holder by loosening the set screw. Once the marker has been removed, remove the rubber tip from the top of the marker and place it on the opposite end. Place the marker back into the marker holder, secure it with the setscrew.

**DO NOT USE ROOF DRAIN MAINTENANCE MARKERS ON LIGHT WEIGHT PLASTIC DRAIN COVERS THAT FLOAT ON THE ROOFS SURFACE AND ARE VOID OF A LOCKING MECHANISM (ex. bolted in, locking tabs) WHERE THEY CAN NOT BE SECURED INTO THEIR HOUSING.**